

Daily maintenance

WARNING: Before operating the coffee machine, read the SAFETY instructions in the user manual.

Scan the QR code below to download the latest user manual of the coffee machine with all the details about safety and operation.



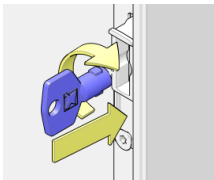
NOTE: The illustrations in this instruction show a generic configuration. The actual model can be different.

NOTE: Do not use aggressive cleaning products or abrasives to clean (parts of) the machine.

CAUTION: Hot water and hot parts inside the coffee machine.

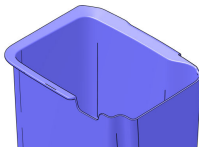
IMPORTANT: Skipping maintenance can affect the quality of the dispensed drink and may lead to malfunctioning of the machine. Clean the coffee machine at the end of the day and before the machine is switched off for a longer period.

1



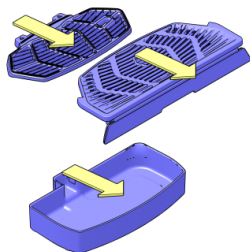
- Open the door of the coffee machine. The **Service Menu** is shown on the touchscreen.
- Insert the **Service key** in the entry inside the door.

2



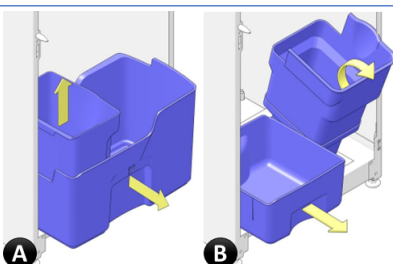
- Place a bucket or jug below the coffee outlet nozzle.
- Tap the **[Daily rinse]** button.
- Tap the **[Next]** button to start the rinsing process. *Repeat until clean water comes out of the machine.*

3



- Remove the cup stand, the drip tray cover and the drip tray itself.

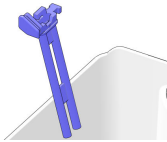
4



- Remove the waste bucket (A) and/or waste guide (B).

5

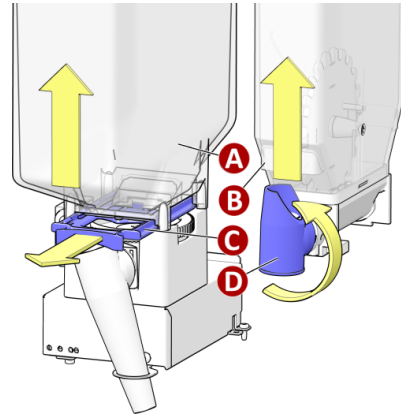
- Clean all removed parts with clean warm water.



- Install all parts when dried.

NOTE: Make sure the water level sensor is placed **inside** the drip bucket.

6



To fill up the canisters, remove them from the machine first:

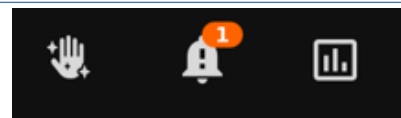
- Bean canister (A): pull the locking slider (C) towards you and lift the canister from the machine.
- Ingredient canister (B): turn the outlet (D) upside down and slightly lift the canister in the front, pull the canister towards you and take it out of the machine.
- Remove the lid.
- Fill up the canister with the correct ingredient.
- Place the lid.
- Place the canister back.
- Ingredient canister: turn the outlet down.
- Bean canister: push the locking slider to lock and open the canister.

7

In the **Service Menu**, the **Enter ingredients levels** screen is displayed. Optional:

- Tap the **[Edit fill levels]** button to change the filling levels.
- Tap the level or tap, hold and move the slider to the correct filling level.
- Tap the **[Save fill levels]** button to save the current setting.

8



- To clean the screen, tap the **[Shiny Hand]** at the top of the **Service Menu**. *The available time to clean the screen is shown with a countdown timer.*
- Clean the screen with a clean soft cloth moistened with some cleaning alcohol.

NOTE: Never spray on the screen directly.

9

- Clean all outside areas of the coffee machine that were not cleaned yet with a soft damp cloth.

Continue with the regular cleaning on the other side or:

- Remove the **Service key**.
- Close the door and lock with the key.
- Tap the **[Exit]** button to return to the **Main menu**.

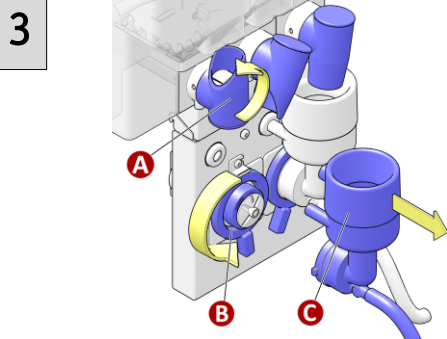
Regular maintenance

1 • Start with the daily maintenance (other side) and then continue with the regular maintenance steps below.

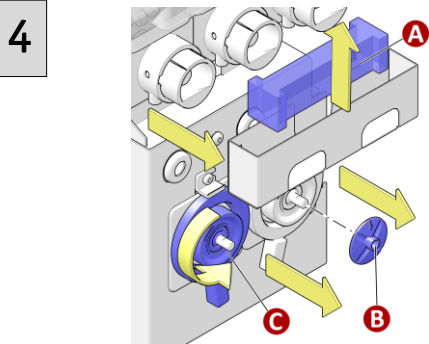
2 • Remove and clean the waste bin(s) in the base cabinet (optional).
• Install the waste bin(s).

NOTE: Make sure the (optional) sensor is placed **inside** the waste bin.

• If the coffee machine displays the message 'Waste bucket full/ Empty waste bucket', tap the **[Reset waste bin]** button in the **Service menu** to reset the counter and remove the message.

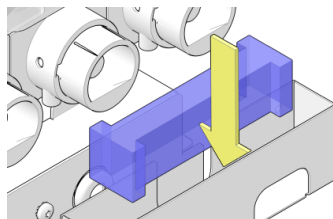


• Turn the canister outlets (A) upside down.
• Turn the bayonet catches (B) 10° counterclockwise.
• Remove the mixer houses (C) together with the outlet hoses.

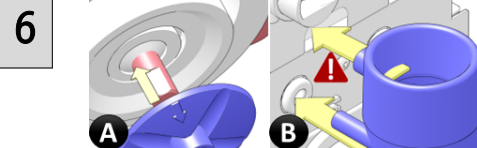


• Remove the exhaust filter (A) from the drawer.
• Remove the mixer propeller (B).
• Turn the bayonet catches (C) 10° counterclockwise and remove them.

5 • Clean all removed parts with clean warm water.

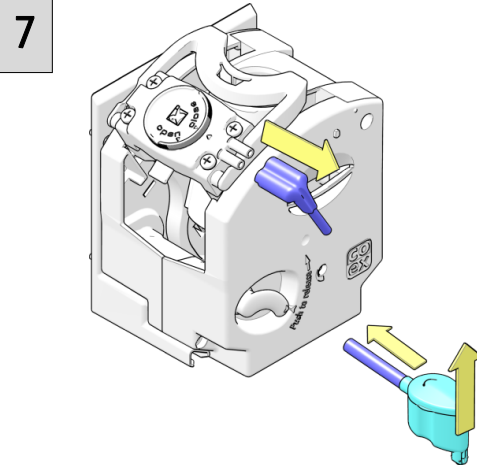


NOTE: Make sure the exhaust filter is **completely dry** before installing it in the filter drawer (or use the spare filter, included with every new machine).

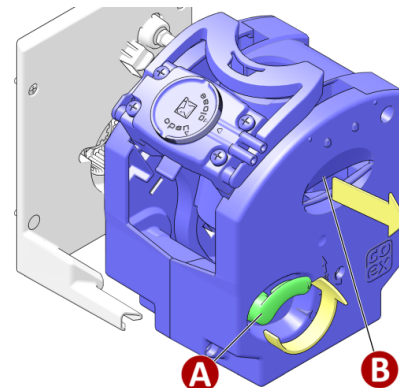


• Install the removed parts.

NOTE: Make sure that the arrow on the mixer propeller points in the direction of the flat side of the shaft (A) and that the mixer suction trap connects properly to the opening in the filter drawer (B).

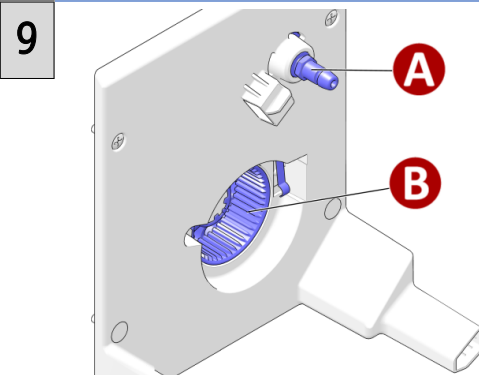


• Loosen the brewer outlet together with hoses and outlet nozzle.

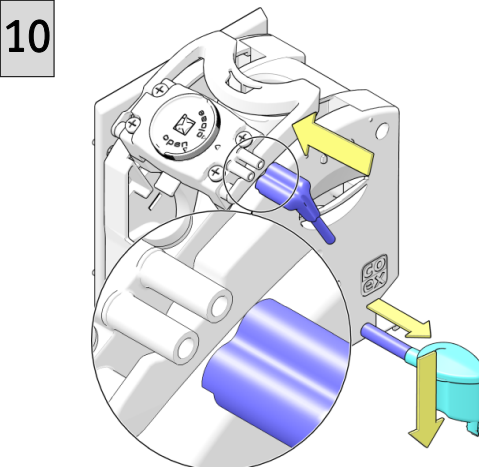


• Turn and hold the fixation handle in the upward position (A) and pull the brewer out of the bracket in the direction of the arrow (B).

8 • Clean the brewer and all removed parts with clean warm water. Pay extra attention to the inside of the hoses.

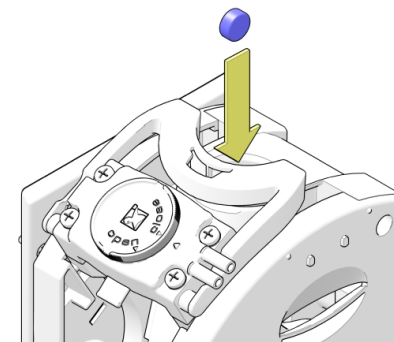


• Clean the water connection (A) with a clean damp cloth and the brewer motor coupling (B) with a dry brush.



Install the brewer, the outlet and connect all hoses.

11 • Place a bucket below the outlet nozzle.
• In the **Service menu**, tap the **[Brewer Cleaning]** button. Follow the on-screen instructions.



• Place the cleaning tablet in the brewer.
• Tap the **[Next]** button. Wait until the cleaning cycle (about 8 minutes) is completely finished.

CAUTION: Never cancel or interrupt the cleaning cycle. Repeat the **full** cleaning procedure if the cleaning cycle is not completely finished.

12 When the cold water option is installed:
• Clean the cold water outlet nozzle with a cleaning agent.

• Dry the cold water nozzle with a disposable paper towel.
• Dispense at least 1 liter of clean cold water to flush and clean the outlet nozzle.

13 • Remove the **Service key**.
• Close and lock the door.
• Tap the **[Exit]** button to return to the **Main menu**.