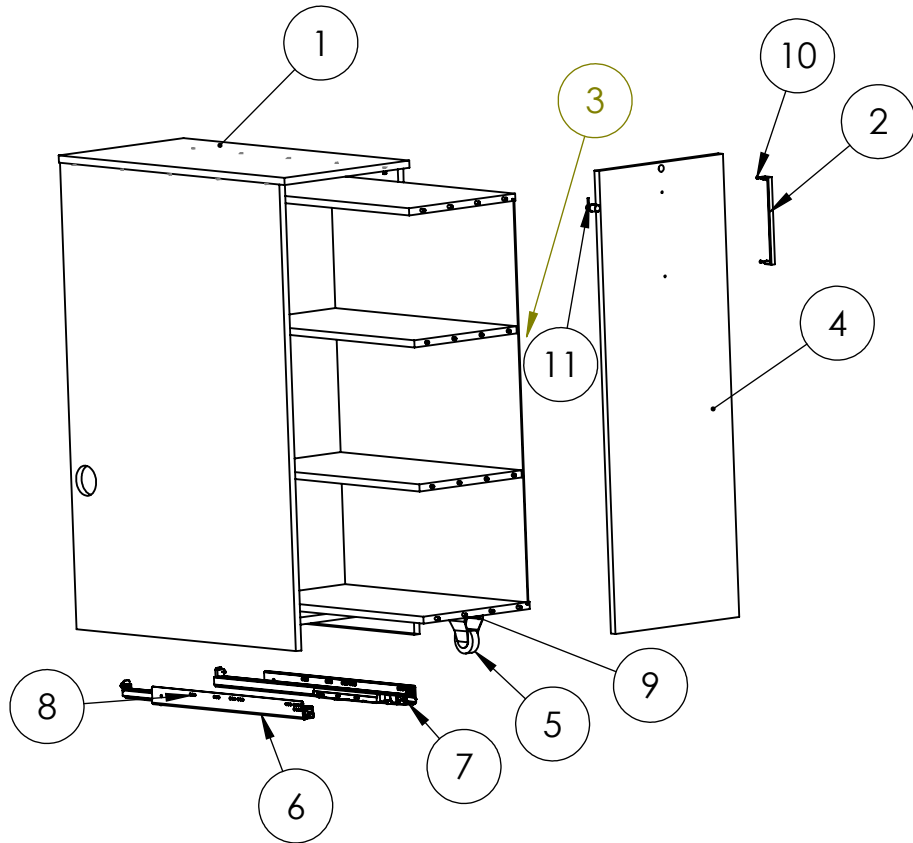


Gjelder alle Garasjeskap



ITEM NO.	PART NUMBER	DESCRIPTION	QTY.
1		Ytterdel h/v	1
2		Håndtak	1
3		Innerdel h/v	1
4		Front h/v	1
5		Hjul	1
6		Sleide h	1
7		Sleide v	1
8		5x12mm Euroskrue	8
9		Treskrue 4,5x20mm	4
10		M4x 25	2
11		Lås	1

UNLESS OTHERWISE SPECIFIED:
 DIMENSIONS ARE IN MILLIMETERS
 SURFACE FINISH:
 TOLERANCES:
 LINEAR:
 ANGULAR:

FINISH:

DEBUR AND
 BREAK SHARP
 EDGES

DO NOT SCALE DRAWING

REVISION



	NAME	SIGNATURE	DATE
DRAWN	Herleif H		02.02.2024
CHK'D			
APPV'D			
MFG			
Q.A			

TITLE:

Sprengskisse alle garasjeskap

DWG NO.

Garasjer h og v

A4

Garasjer h og v

WEIGHT:

SCALE:1:50

SHEET 1 OF 1