



# RBM Spare parts

RBM by Flokk

[flokk.com/rbm](https://flokk.com/rbm)

# Contents

---



Aluminium frame, wood legs	5
Armrest LHS and RHS	6
Cover underside	7
Footbase	8
Full Upholstery	9
Row connection	10
Seat shell plastic, veneer	11
Seat upholstery	12
Sledgebase	13
Tubular base	14

Note: When a part number starts with 0, remove 0 to find the article in the ERP system.

# RBM General Terms & Conditions

## Standard delivery times from factory in working days

- RBM Standard Fabric & Colour Collection: 10-15 working days
- RBM Extended Fabric & Colour Collection: 20-25 working days\*
- RBM Standard surface/stain colours/wooden chairs: 15 working days
- RBM Extended surface/stain colours/wooden chairs: 20-30 working days\*
- RBM Standard table top collection: 5-15 working days
- RBM Extended table top collection: 25-27 working days\*

Transport-days to be added.

Longer delivery times may occur periodically, during holidays and for especially large orders.

\* Provided fabric available at suppliers stock

## Order entry specification

Please specify the following information when placing an order for RBM products:

- Product model code/name
- Number of products
- Fabric/leather on chair
- Wooden, stain surface, plastic and table top colour/type
- Colour/paint on foot base/frame for chairs and tables
- Type of castors or glides
- Type of gas lift
- Options. Eg. arms, neck rest
- Desired delivery date
- Delivery address

## Prices

All prices are recommended retail prices in Euro excl. VAT. Prices are valid from 01.01.2019. Any typographical errors shall not be binding for Flokk and will be subject to correction without liability to the vendor.

## Payment terms

Subject to local sales agreement. Interest charged for non-payment according to current terms. All goods remain the property of Flokk AS until payment is made in full.

## Conditions of delivery

Ex Works ref. Incoterms 2010, including packaging.

Visible transport damage and discrepancies in the number of items received must always be noted on the bill of carriage at the time of receipt and reported to the carrier. Invisible transport damage (damaged product, but not package) shall be reported in written to Customer Service, Flokk within 7 days.

We encourage you to ensure recycling of all packaging material. Please sort and return the packaging material, using your local recycling partners/stations - and follow your local regulations.

If you have questions on how to handle waste packaging material, please inform your contact person within Flokk.

## Change/cancellation of orders on chairs, tables or upholsteries.

Change/cancellation of orders on chairs or upholsteries is possible up until production has begun. Each amended or cancelled order will incur a charge of 50 Euro per order. Once production has started orders can not be changed.

For further information regarding change /cancellation of orders, please feel free to contact our Customer Service department.

Customer Service Flokk  
Phone: +47 72 40 72 40  
E-mail: info-gpo@flok.com

## RBM warranty

### General terms and conditions

Flokk's warranty covers all RBM products against material and manufacturing faults and defects from the product's production date. The warranty covers any necessary spare parts. Labour and transport costs are not covered. Wear and tear must be expected from normal use and are not covered by the warranty. Unless otherwise specified, the maximum weight for users of chairs is 110 kg. The warranty is conditional on the chair(/table) and fabrics/leather undergoing normal cleaning.

### 6 year warranty for RBM products

Flokk provides a 6 year warranty for all RBM chairs and tables that are in normal use for up to 9 hours per day. Please also see the general warranty terms and conditions.

### Maintenance guide

Care of Fabric Upholstery: Regular vacuum cleaning is recommended. Marks and stains should be removed with a proprietary cleaner.

Care of Leather Upholstery: Wipe with a slightly damp cloth and gently rub dry. A good proprietary hide food should be applied at least once a year and more often if the leather is in a dry atmosphere or close to a heat source.

For laminated table tops and unupholstered surfaces on chairs, clean with a soft, damp, non-abrasive cotton cloth and a mild liquid detergent.

For additional maintenance advice please contact our customer service team.

### End of life – recycling

We encourage you to ensure recycling of your chair and its various components, according to the 'end of life matrix' described in your chair's user manual. Please dispose your chair/components using your local recycling partners/stations - and follow your local regulations. If you have questions on how to dispose or return your chair after use, please inform your contact person within Flokk.

### Standard Fabric & Colour Collection

Flokk provides a 6 year warranty for RBM chairs upholstered in fabrics/leather from the RBM Standard Fabric & Colour Collection when the chair is in normal use for up to 9 hours per day. Flokk provides a 2 year warranty for RBM chairs upholstered in fabrics/leather from the RBM Standard Fabric & Colour Collection when the chair is in normal use for more than 9 hours per day.

### Extended Fabric & Colour Collection

Flokk provides a 5 year warranty for RBM chairs upholstered in fabrics/leather from the RBM Extended Fabric & Colour Collection when the chair is in normal use for up to 9 hours per day. Some of the fabrics in the RBM Extended Fabric & Colour Collection are available with a 2 year warranty for 24 hour use (for use of more than 9 hours per day).

### Special fabrics/leather or Customers Own Material

If the fabrics in the Standard or Extended collections are not what you are looking for, please contact Customer Service at Flokk, email: info-gpo@flok.com.

The general warranty terms and conditions cover the chair against material and manufacturing faults, but not the upholstery.



### Quality

Flokk is ISO 9001 accredited.

RBM Ana, RBM Ballet, RBM Ballet Medium, RBM Bella, RBM Low-back Bella, RBM Noor and RBM Noor Up: tested according to EN 16139.

RBM Ana, RBM Noor 6050, RBM Ballet Functional chair and RBM Ballet Medium Functional chair: tested according to EN 1729.

RBM Ana, RBM Low-back Bella, RBM Noor 6050, 6055, 6060, 6065, 6070 and 6075: tested according to Möbelfakta (Sweden)

RBM Allround, RBM e-Connect/u-Connect, RBM Standard Folding Table, RBM Twisted Little Star and RBM Ultima: tested according to EN 15372.

RBM Allround, RBM e-Connect/u-Connect and RBM Standard Folding Table: tested according to Möbelfakta (Sweden).

RBM Eminent: tested according to EN 12521.

Please contact us for further information or test reports.

### Environmental responsibility

Environmental considerations are at the heart of our business.

Flokk's environmental management system is certified in accordance with ISO 14001:2015. Most of the materials used in RBM products can be recycled. A complete material composition for each RBM product is available on request.

RBM Noor and RBM Ana are GREENGUARD Certified and their environmental impact is documented in Environmental Product Declaration (EPD). A selection of RBM products are tested and approved according to the Swedish Möbelfakta requirements.

### Fire resistance

On request.

Please contact our customer service for further information.

Customer Service Flokk

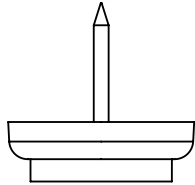
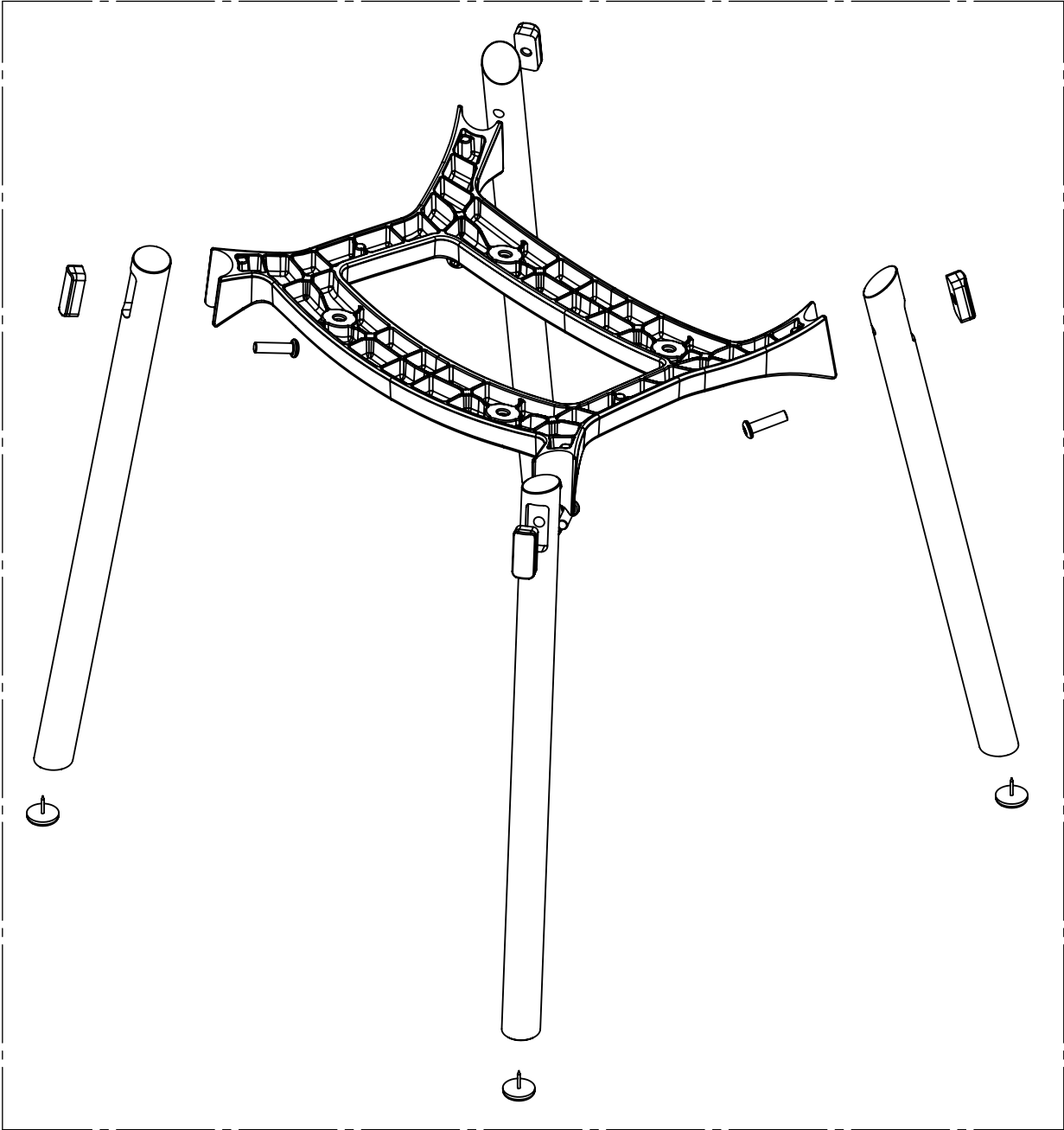
Phone: +47 72 40 72 40

E-mail: [info-gpo@flokk.com](mailto:info-gpo@flokk.com)

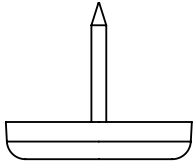


# Aluminium frame/wood legs

6080/-85 (s/sb/f)



31051  
Glider, felt tip

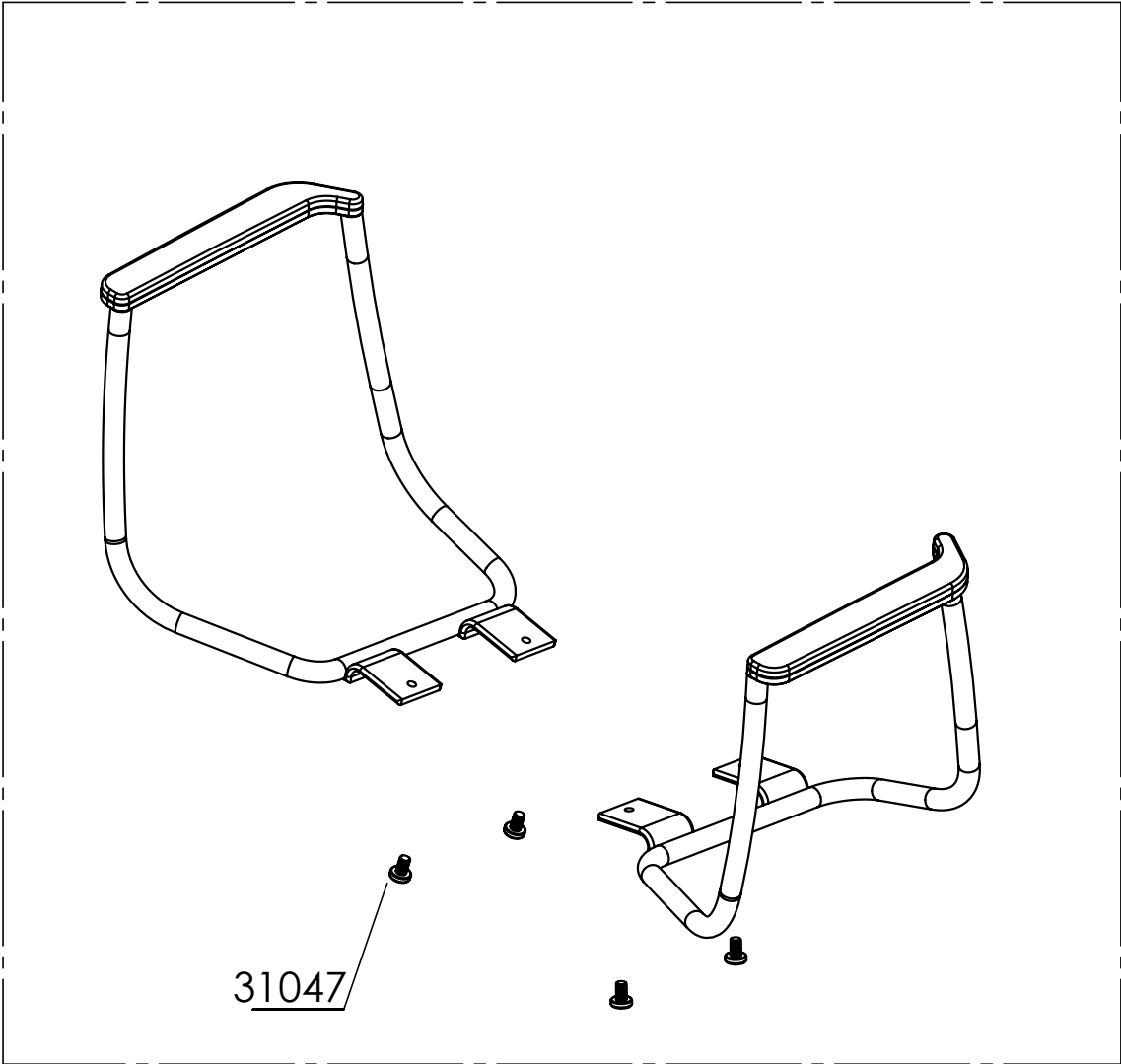


31050  
Glider

M31010

# Armrest LHS and RHS

6050/-55/-60/-65/-70/-75 (s/sb/f)



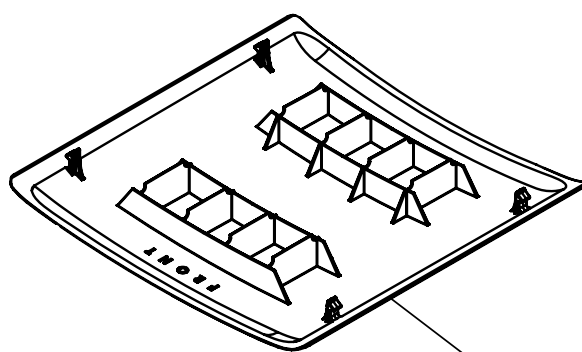
31047

4107

# Cover underside

6050/-55/-60/-65 (s/sb/f)

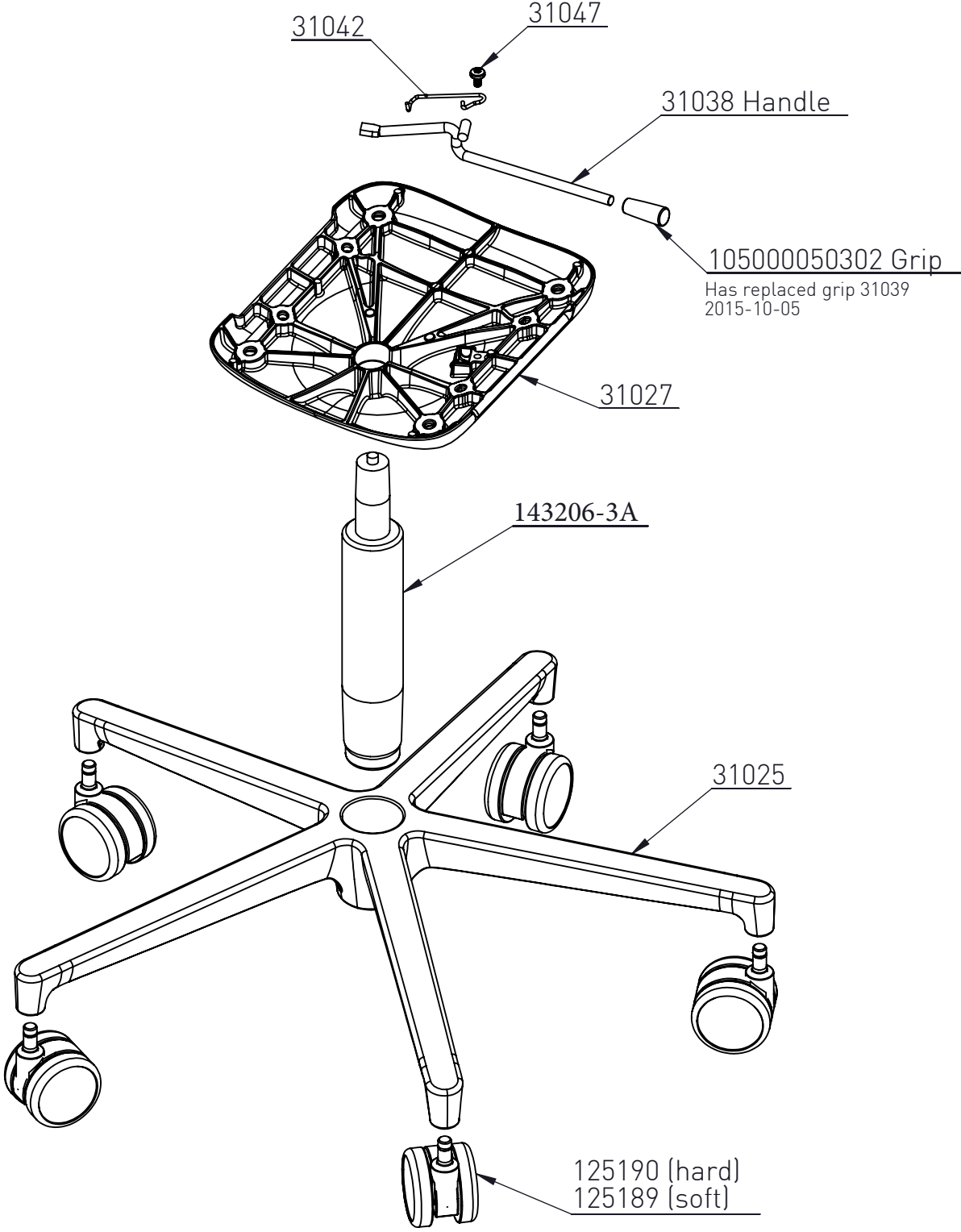
---



31024

# Footbase

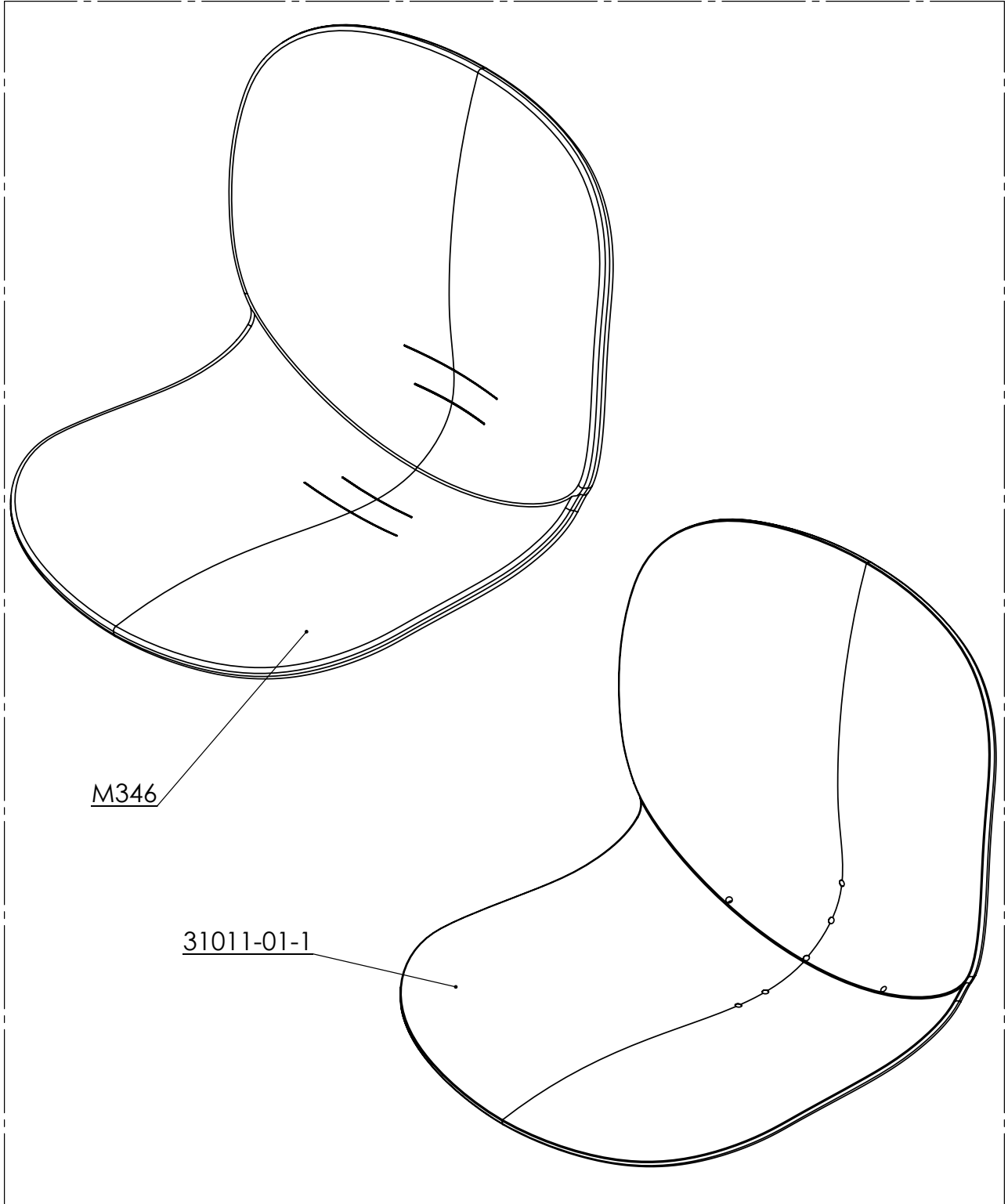
6070/-75 (s/sb/f)





# Full Upholstery

6050/-60/-70/-80 (f)



M346

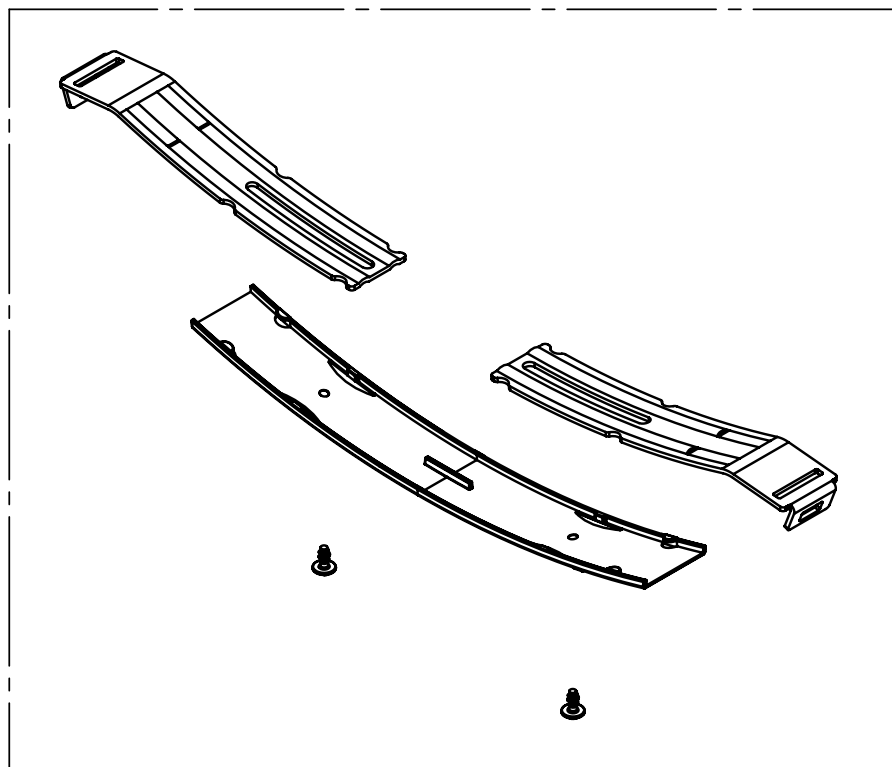
31011-01-1

M347

2023-10-04  
2021-02-18

# Row connection

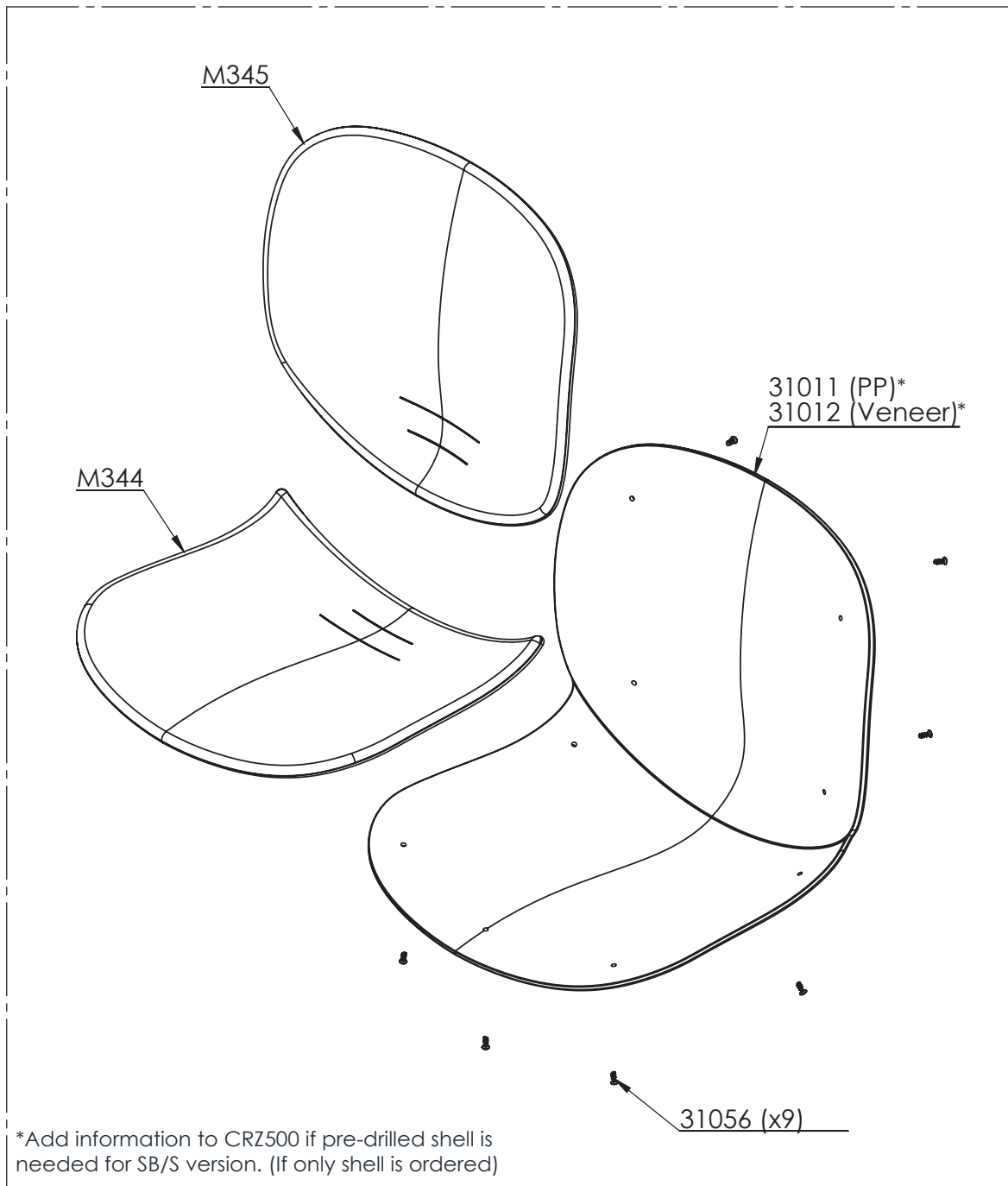
6050/-55/-60/-65 (s/sb/f)



99000005

# Seat shell plastic/veneer

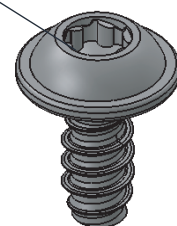
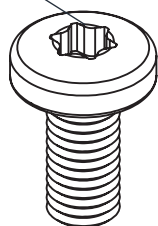
6050/-55/-60/-65/-70/-75/-80/-85



31057 (for veneer shell)

M345-10

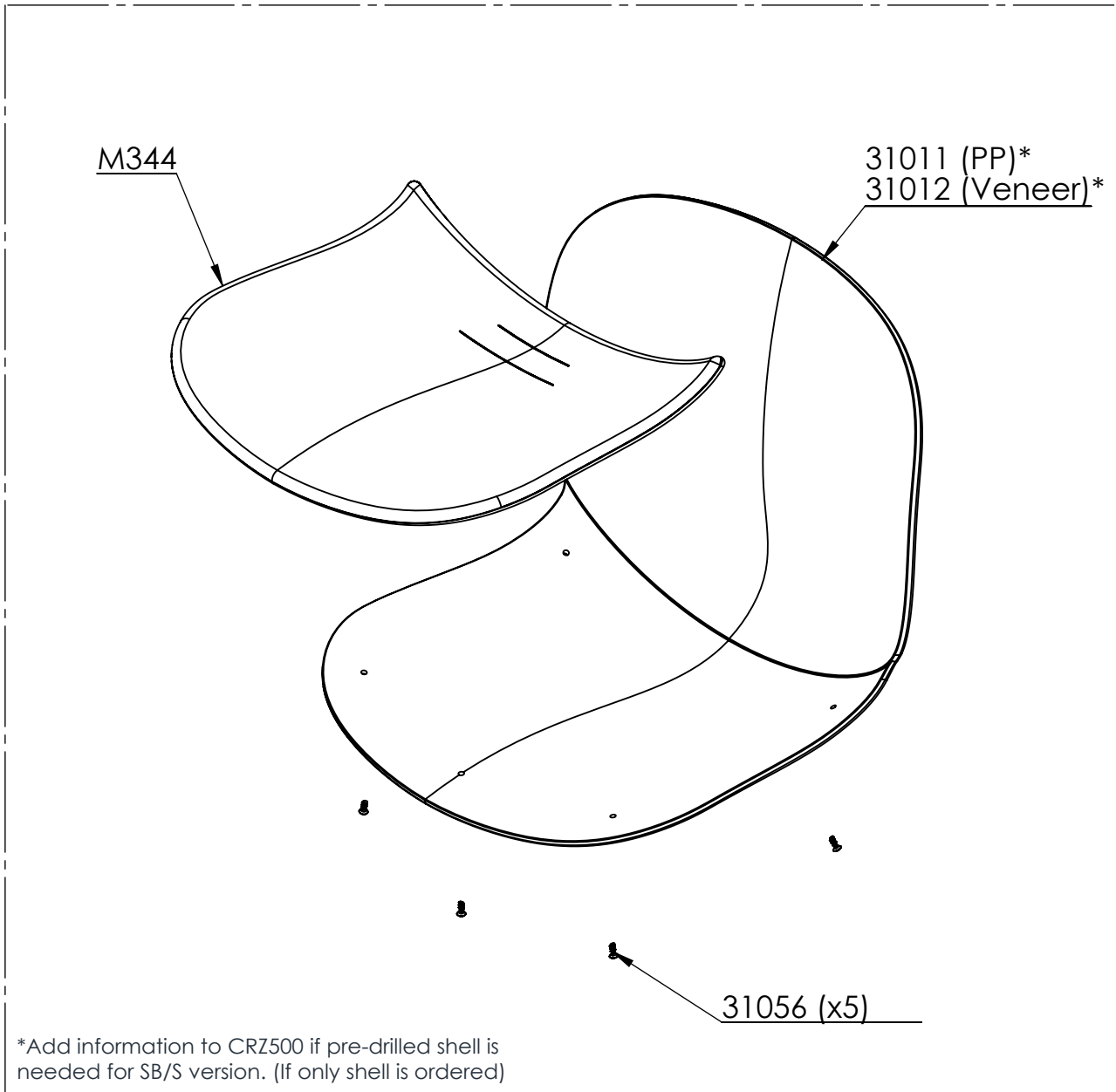
31043 (for PP shell)



Screws used to mount frame to shell

# Seat upholstery

6050/-55/-60/-65/-70/-75/-80/-85 (s)

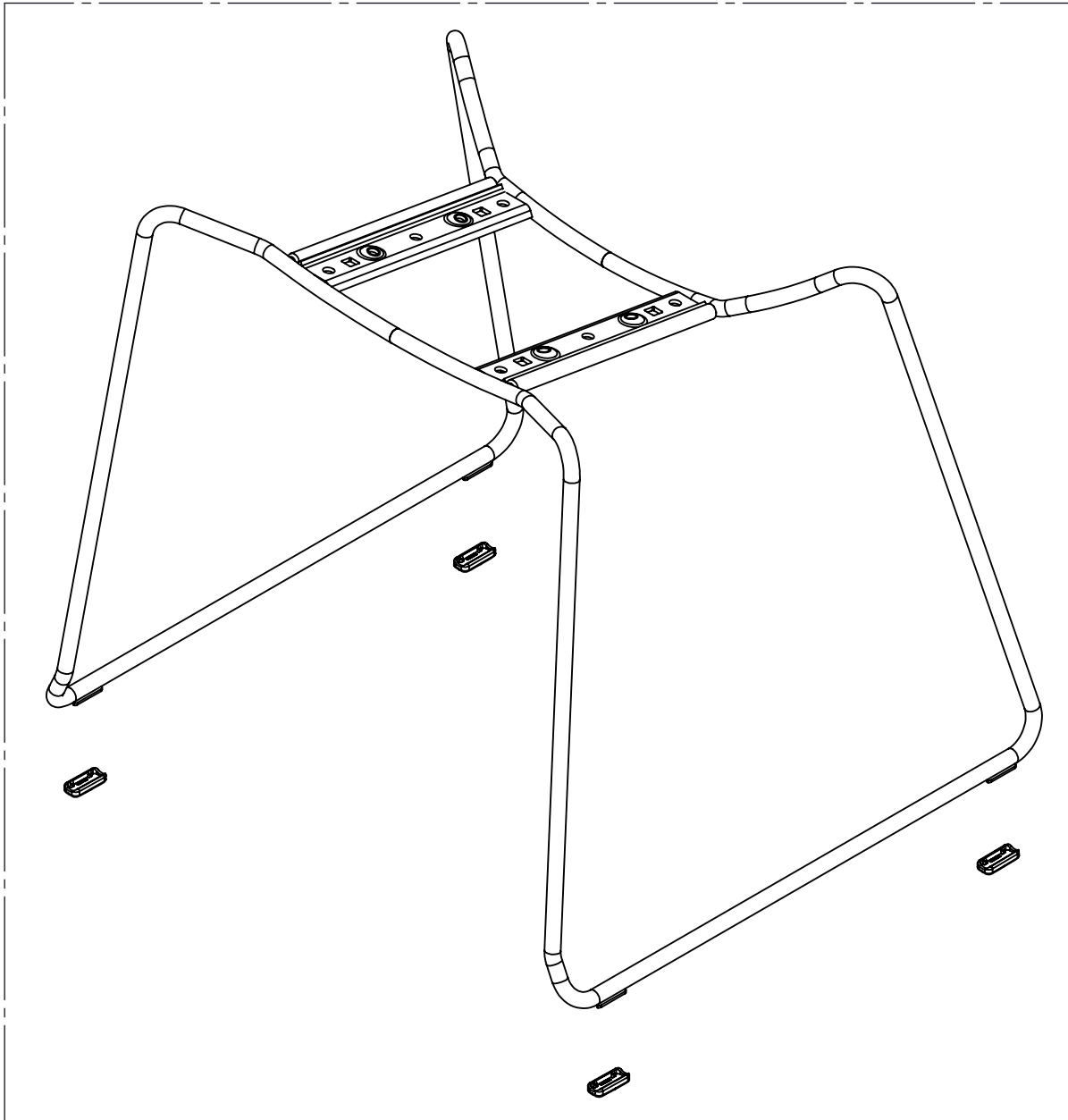


\*Add information to CRZ500 if pre-drilled shell is needed for SB/S version. (If only shell is ordered)

M344-10

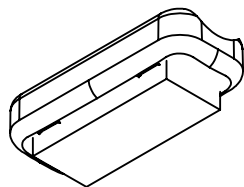
# Sledgebase

6060/-65 (s/sb/f)

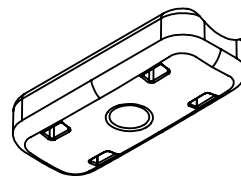


M31101

M31101 is used to order a base with felt gliders. For a base with gliders without felt use number 31101-xx (-xx refers to the colour)



125183  
Glider, felt tip



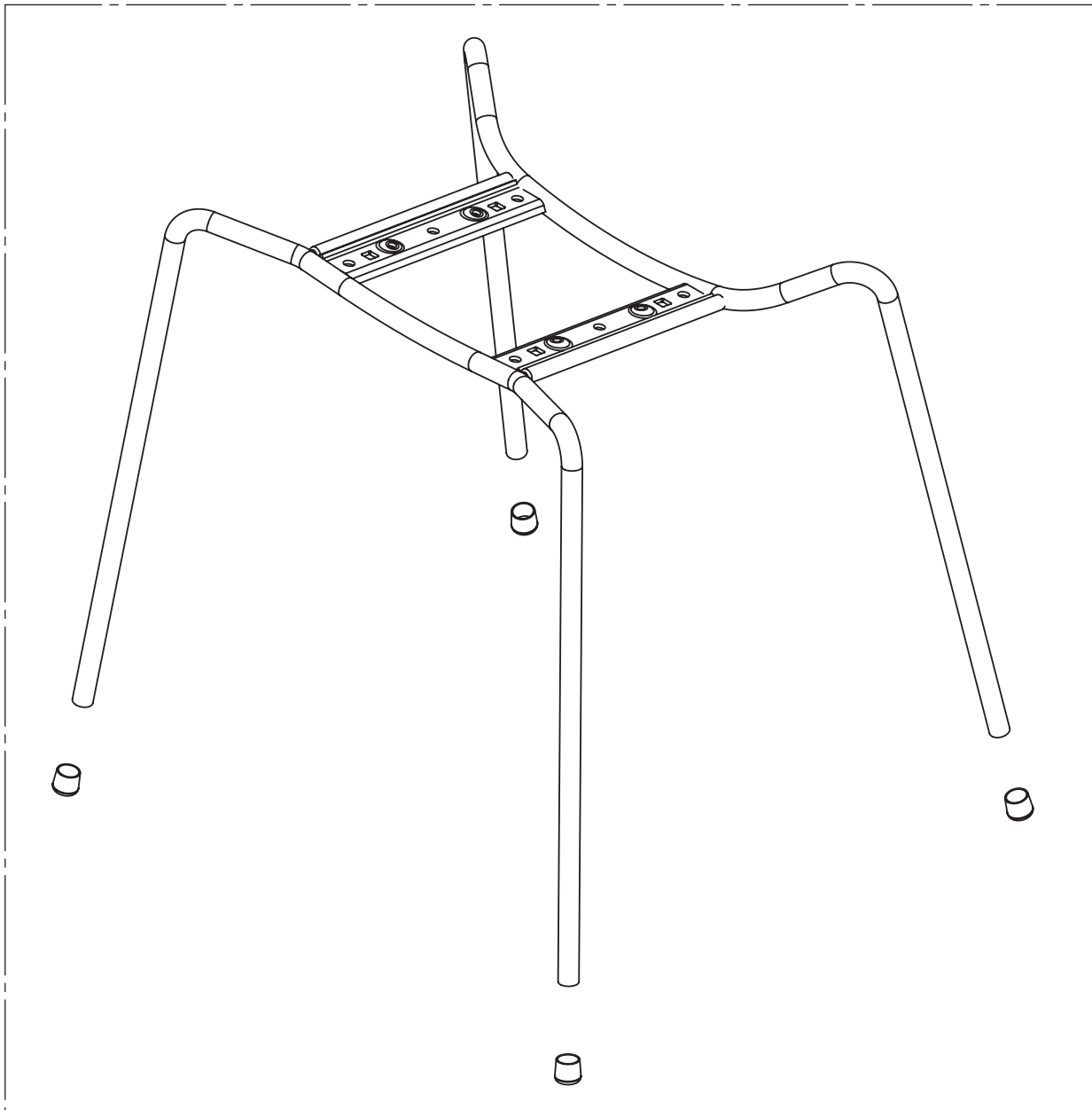
113925  
Glider

2023-10-04  
2021-02-18

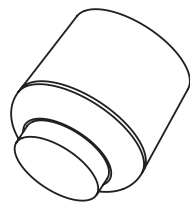


# Tubular base

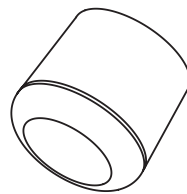
6050/-55 (s/sb/f)



M31100



31049-01 Black  
31049-02 Grå  
Glider, felt tip



31048-01 Black  
31048-02 Grå  
2023-10-04 Glider  
2021-02-18