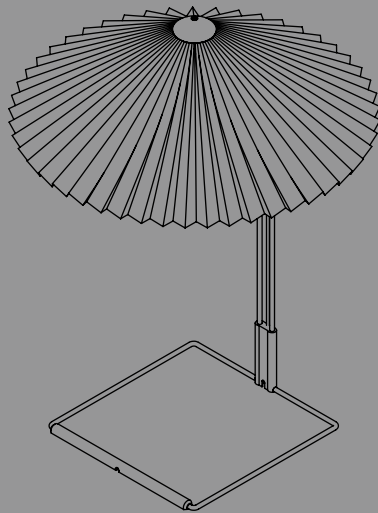


INSTRUCTION MANUAL

MATIN



By Inga Sempé

HAY

INTRODUCTION

The Matin table lamp offers a contemporary yet poetic design, with a construction that combines visual delicacy with physical robustness. It consists of a steel wire bent frame finished in polished brass with matte black hardware, and is paired with a pleated cotton shade in a variety of vibrant colours. The light source is an integrated LED, offering a diffused downlight which is accompanied by a digital in-line dimmer control to adjust the output of light if required.

TECHNICAL DATA

This product is supplied with an integrated LED module (2800K warm white, 200-300 lumens). The expected lifespan

of the LED modules is 25,000 hours. When the light source reaches its end of life, the whole luminaire should be replaced.

ATTENTION

In some countries, electrical installation must be carried out by authorised electricians/contractors; please check with your local authority for guidance. The product must not be

modified in any way. HAY accepts no responsibility for any products that have been modified or tampered with. This lamp is designed for indoor use only.

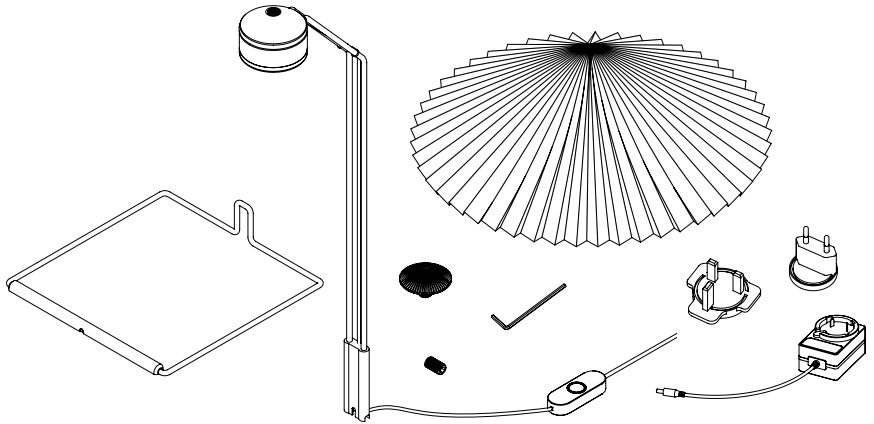
CARE AND MAINTENANCE

Do not use wet or damp cloths for cleaning and maintaining the shade. Please use a dry, lint-free cloth or duster to remove any dirt. The frame can be cleaned with a soft damp cloth and mild detergent. Do not use alcohol or any other solvents to clean the product. The external flexible cable

or cord of this luminaire cannot be replaced; if the cord is damaged, the luminaire should be destroyed. Ensure that the power supply has been turned OFF before cleaning the product.

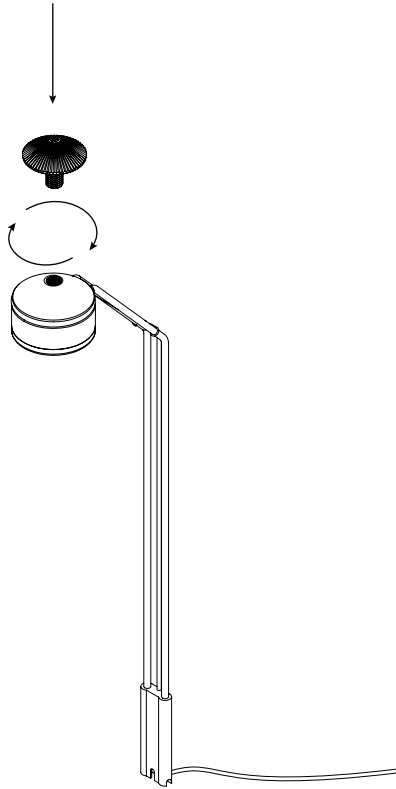


PARTS



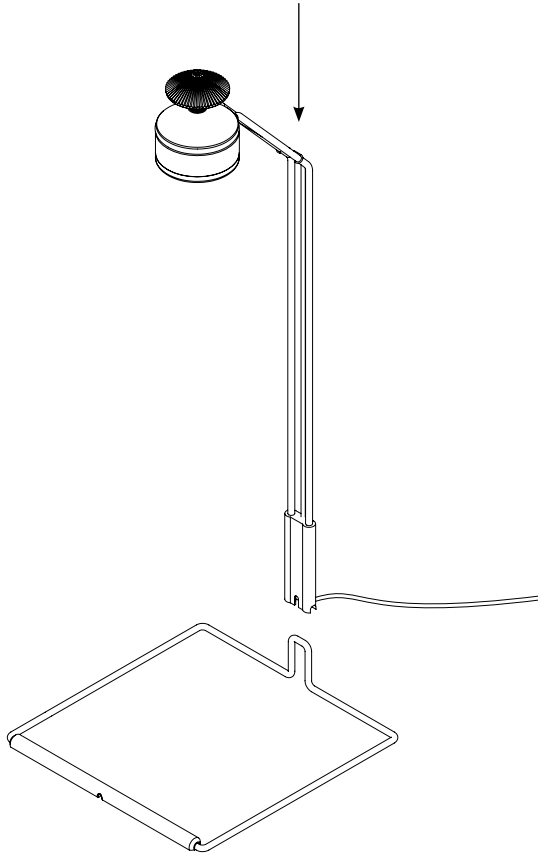
1.

Screw the top screw into the top cap, as shown below. Do not fully screw it in place yet.



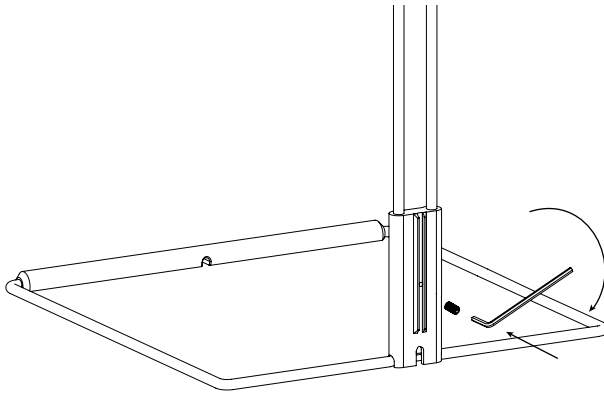
2.

Slide the stem onto the base frame, as shown below.



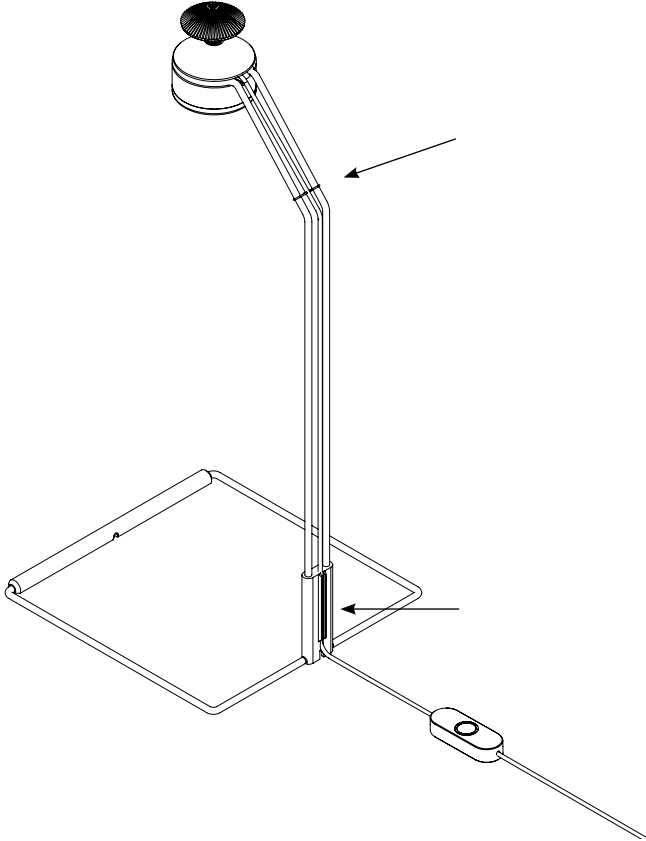
3.

Insert the set screw into the back of the connecting piece and screw it firmly in place, using the supplied tool.
You will find the set screw and tool in the small bag.



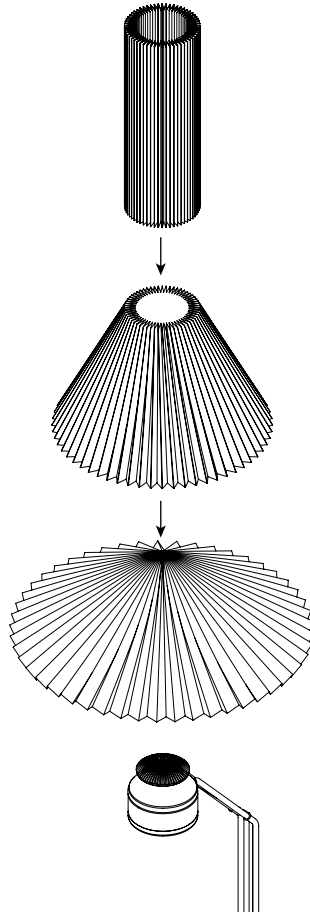
4.

Clip the cable into the cable clip, which is located on the stem, and in the groove on the back of the connecting piece at the bottom of the stem.



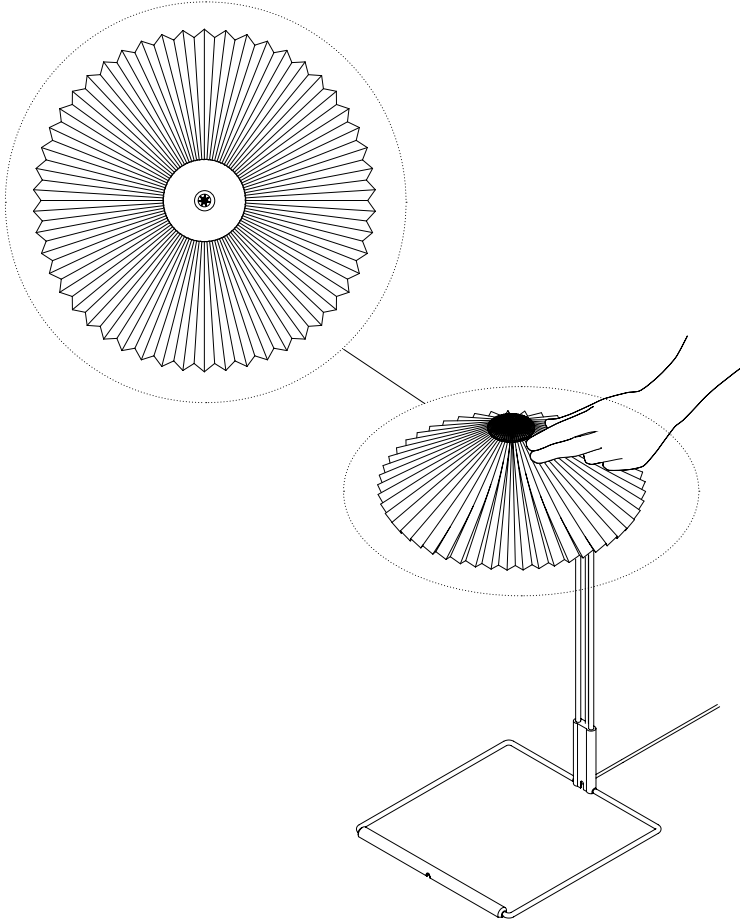
5.

Remove the shade from its packaging and spread out the bottom while simultaneously pushing it down over the top screw, so that it rests on top of the top cap. Gently push the top of the pleated shade underneath the top screw, so that it is wedged between the top screw and top cap.

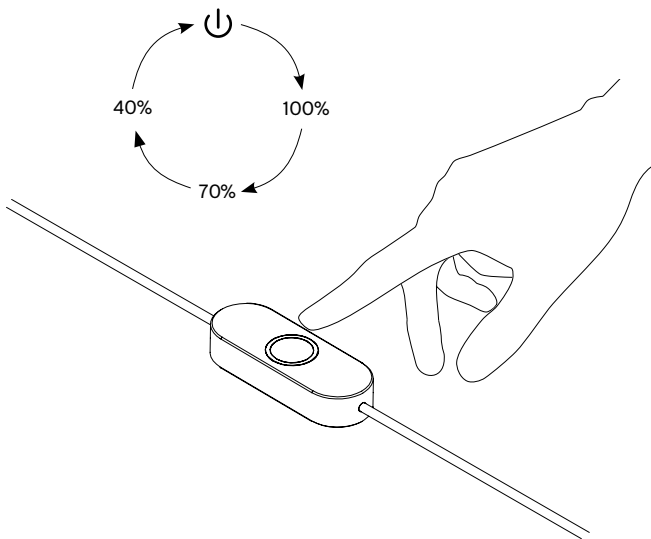


6.

Once the shade is in place, gently adjust the pleats at the top so they are evenly spread out, as shown below. Once the shade is as illustrated, the top screw can be fully tightened.

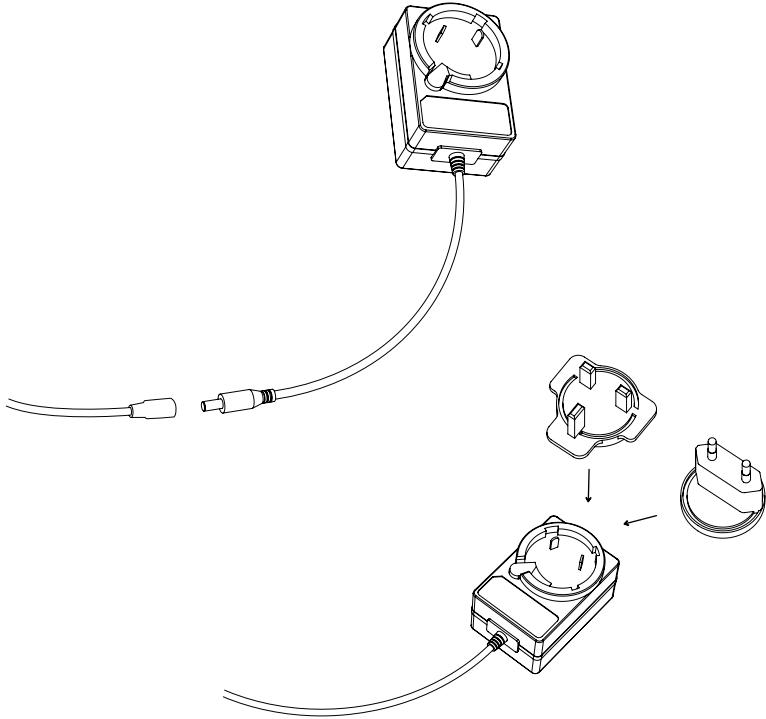


The lamp's inline switch has a three-step dimmable feature. The first push sets the lamp to maximum brightness, the second push to medium brightness and the third push to lowest brightness. The fourth push turns the lamp off.



8.

Plug the trailing cable into the power supply. Attach the correct adapter for your region.
The lamp is now ready to use.



Havnen 1 8700 Horsens Denmark
+45 4282 0282 / hay@hay.com

HAY